

# LEDRHYTHM

LED  
PRECISE, HIGH-OUTPUT LIGHTING

## Moon III

STREET LIGHTING

PROJECT

CATALOG #

TYPE

40W,60W,80W,100W,120W,150W,200W,240W,300W

- Intelligent control
- Operating Temp : -30°C to + 55 °C
- 0-10V Dimming Optional
- Expected Life over 50,000 Hours
- Die Cast Aluminum



### POWER

Available in 40W, 60W, 80W, 100W, 120W, 150W, 200W, 240W, 300W Configurations

### PRECISION

High Chip Density for Increased Uniformity

### ENGINEERING

Die Cast Aluminum

## ORDERING INFORMATION

SERIES	WATTS	CCT	OPTICS	INPUT PWR	Protection	Housing Material	DIMMING	FIELDS APPLICATION
Moon III	40W	3000K	Type II	120-277V	IP66	Die Cast Aluminum	0-10V Dimmable	Road Street Highway
	60W	4000K	Type III					
	80W	5000K	Type IV					
	100W	5700K	Type V					
	120W							
	150W							
	200W							
	240W							
	300W							

NOTES  
 - 70 CRI Standard  
 - Custom RAL Colors Require Additional Costs & Lead Times  
 - CM Mounting Standard

## OPTICS

Type II Medium



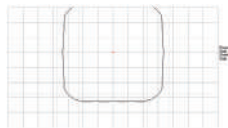
Type III Medium



Type IV Short



Type V Square



## LUMEN CHART

	3000K	4000K	5000K	5700K
40W	5600lm	6000lm	6000lm	6000lm
60W	8400lm	9000lm	9000lm	9000lm
80W	11200lm	12000lm	12000lm	12000lm
100W	14000lm	15000lm	15000lm	15000lm
120W	16800lm	18000lm	18000lm	18000lm
150W	21000lm	22500lm	22500lm	22500lm
200W	28000lm	30000lm	30000lm	30000lm
240W	33600lm	36000lm	36000lm	36000lm
300W	42000lm	45000lm	45000lm	45000lm

Due to continuous improvement and innovation, product appearance and specifications may change without notice. Actual performance may differ as a result of end-user environment and application.

# Moon III

## STREET LIGHTING

### SPECIFICATIONS

**Expected Life** | Over 50,000 hrs.  
**Rating** | IP66  
**Color Rendering Index (CRI)** | >70  
**Operating Temp** | -30°C – +55°C  
**Relative Humidity** | 0-90% RH  
**Power Factor** | ≥97%  
**Input Voltage** | 120-277 V  
**Input Frequency** | 50/60 Hz  
**Driver** | Dimmable 0-10V Optional  
**LED Efficiency**  
- 3000K, 140 lm/w  
- 4000K, 150 lm/w  
- 5000K, 150 lm/w  
- 5700K, 150 lm/w  
**Surge Protector** | 10kV

### WARRANTIES

SEE WEBSITE FOR DETAILS

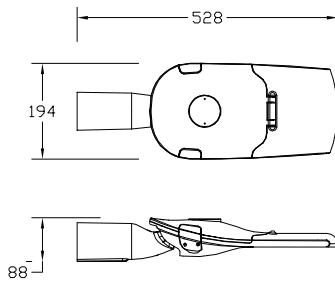
**Housing** | 5-Year  
**LED** | 5-Year  
**Driver** | 5-Year

### MATERIALS

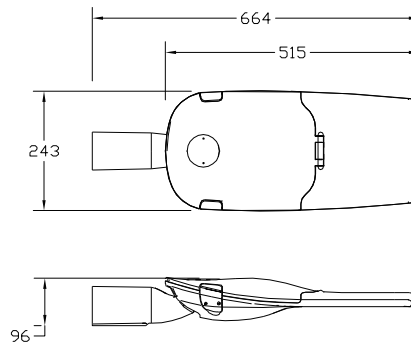
**Housing** | Die Cast Aluminum  
A380 Alloy ADC12  
**Gasketing** | Neoprene Rubber  
**Hardware** | 18-8 Stainless Steel  
**Finish** | Protective UV Stabilized Powdercoat  
4000 Hour Salt Spray Tested to ASTM B117  
**Lens** | PC

### PRODUCT DRAWINGS

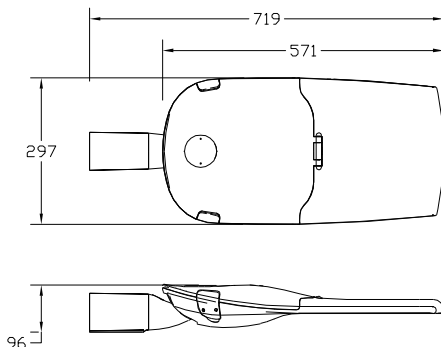
#### Mini Version



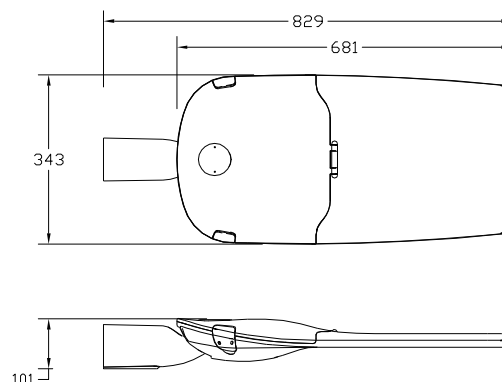
#### Small Version



#### Medium Version



#### Large Version



Due to continuous improvement and innovation, product appearance and specifications may change without notice. Actual performance may differ as a result of end-user environment and application.